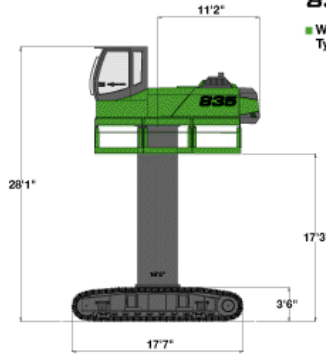
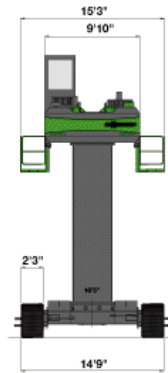




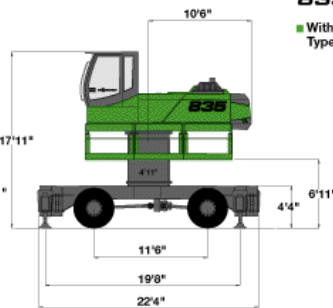
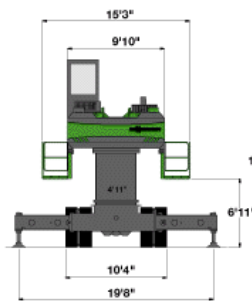
835
8355 *D series*

Engine	266 HP
Working Radius	20.7 Metres
Operating Weight	65,909 Kilos

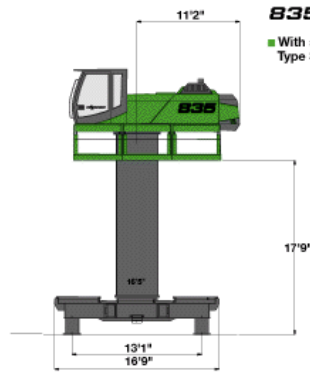
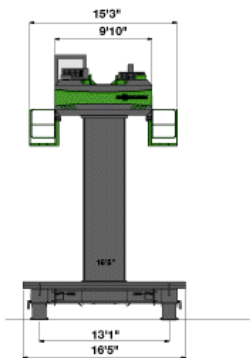




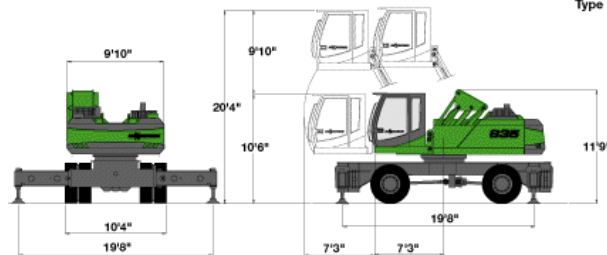
B35 R special
 ■ With crawler undercarriage
 Type R 40/380-280



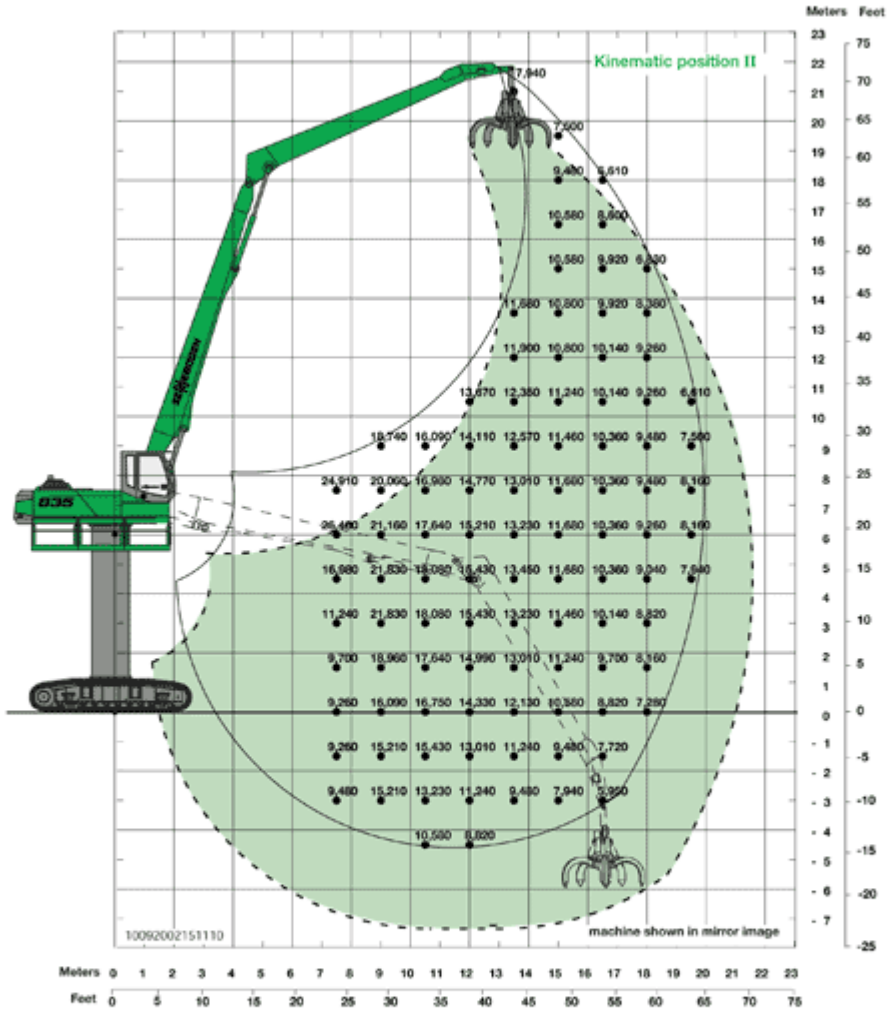
B35 M special
 ■ With wheeled undercarriage
 Type MS 40



B35 S special
 ■ With support
 Type ST40/400x400



B35 M special
 ■ With wheeled undercarriage
 Type MS 40


835 R special

- Undercarriage: R 40/380-280 with crawler B6, crawler length 17'7"
- Pylon: 18'5"
- Compact boom: 35'5"
- Loading stick: 30'10"
- Kinematic position: II
- Cab: F2000

Load chart

Notes:
 Lift capacities are stated in pounds. Indicated loads are based on ISO 10567 and do not exceed 75% of tipping and 87% of hydraulic capacity. Machine on firm, level supporting surface. Loads valid for 360° on outriggers supported.
 Lifting capacities do not include working attachments such as scrap grapples, magnets, etc. Their weights must be deducted from the numbers indicated in the lifting charts.

