



840

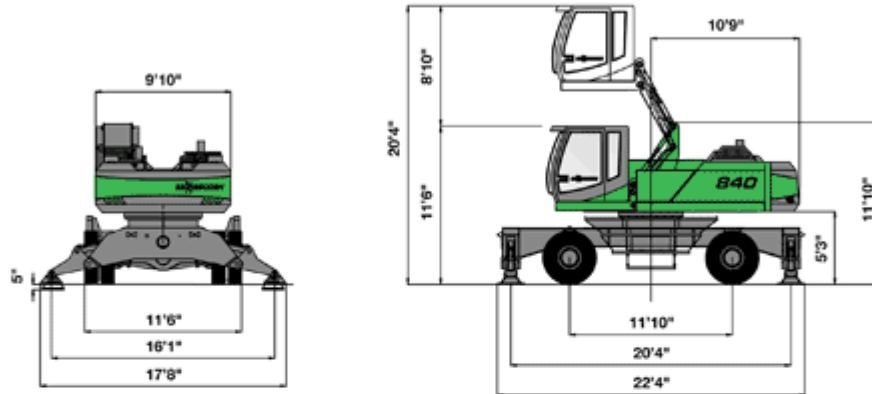
840M series

Engine	264 HP
Working Radius	18.8 Metres
Operating Weight	55,791 Kilos

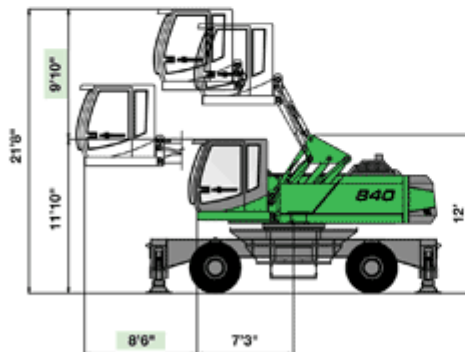


Machine Specifications

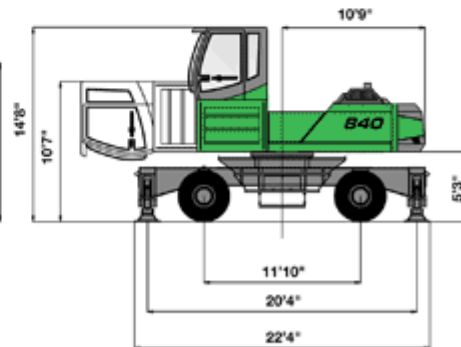
- 840 M with 8'10" hydraulic elevating Cab Type C 270



- 840 M with hydraulic elevating and forward moving Cab Type C 300/260



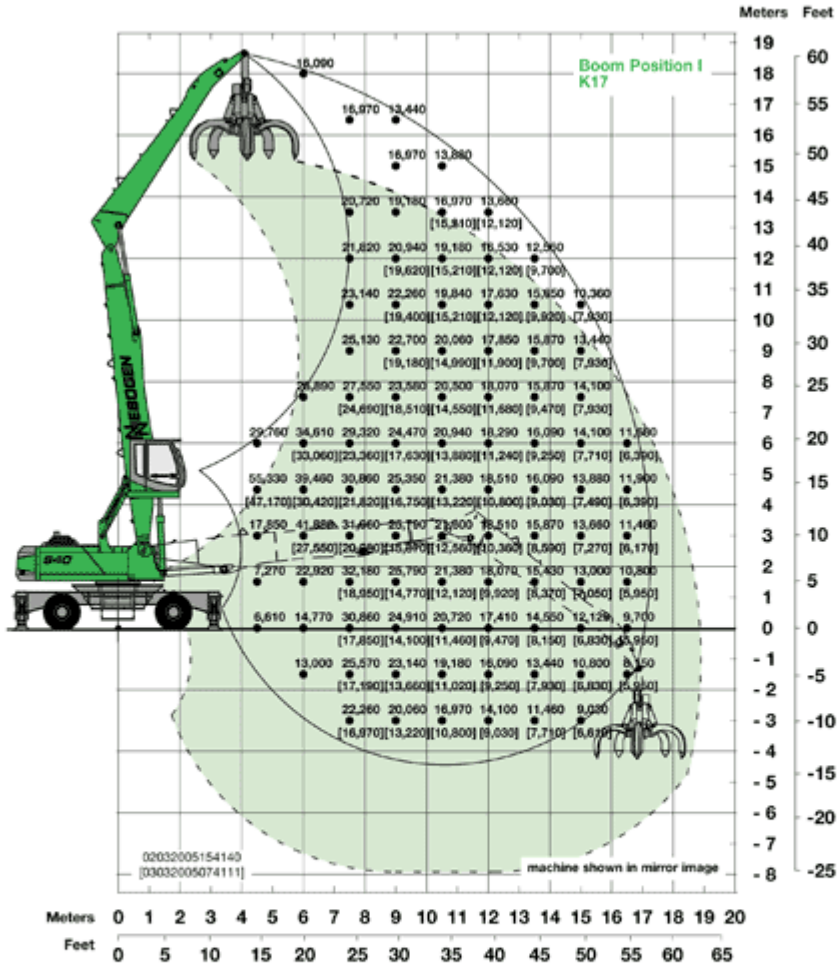
- 840 M with hi-rise cab, standard height 3'3"



Available with optional 5', 6'7" or higher models.
 Hydraulic tilting mechanism for easy transportation is standard on all hi-rise cabs.

Depending upon tolerances, measurements may vary.

SENEBOGEN[®]
 green line

840M


SENEBOGEN[®]
 green line

840M
