



850

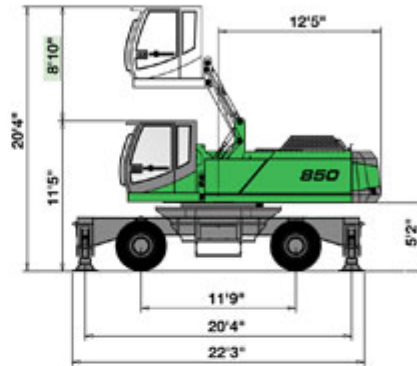
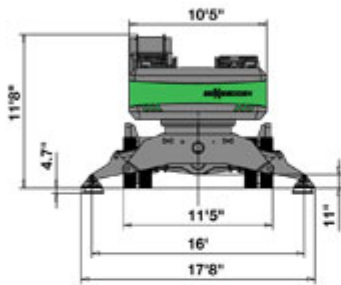
850M C Series

Engine	330 HP
Working Radius	20.7 Metres
Operating Weight	58,931 Kilos

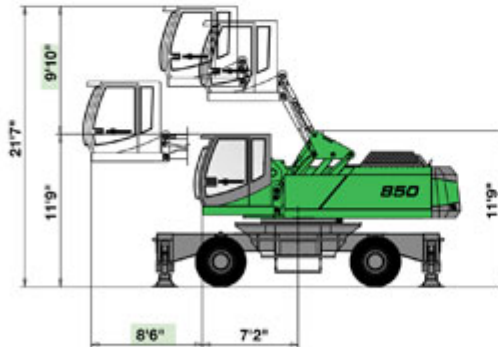


Machine Specifications

- 850 M with 8'10" hydraulic elevating Cab Type C 270



- 850 M with hydraulically elevating and forward moving Cab Type C 300/260

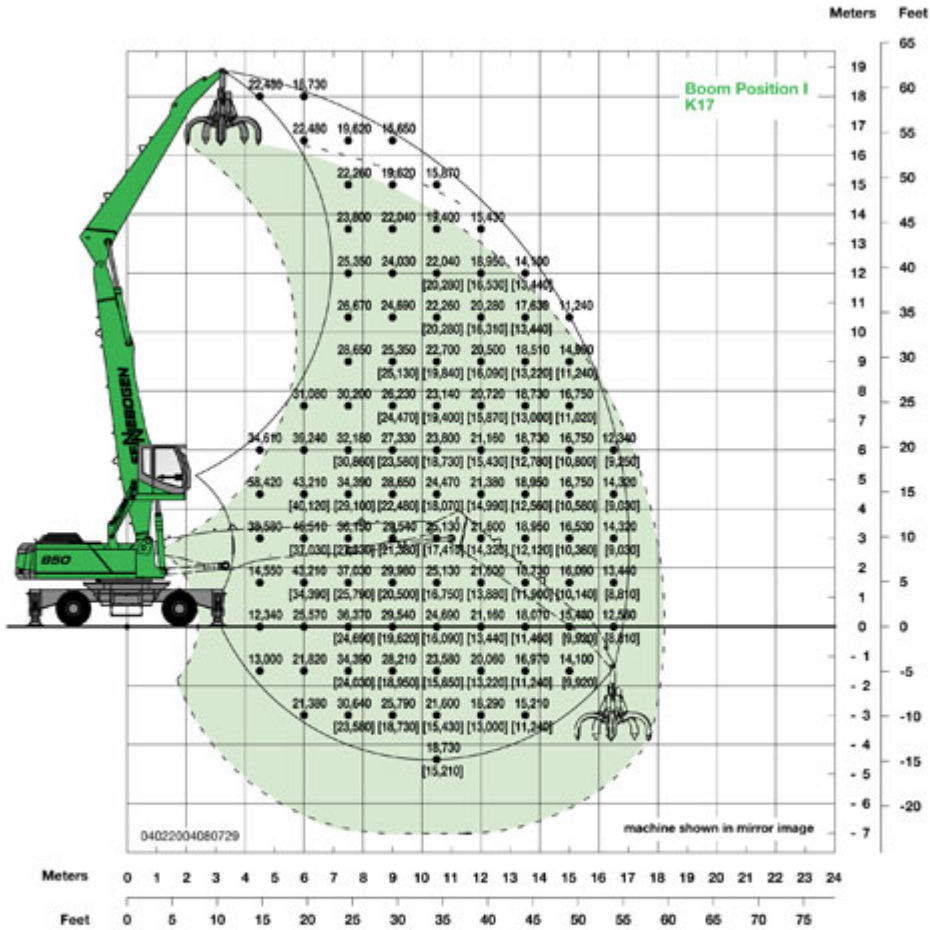


- 850 M equipped with hi-rise cab, standard height 3'3"



Available with optional 5', 6'7" or higher models. Hydraulic tilting mechanism for easy transportation is standard on all hi-rise cabs.

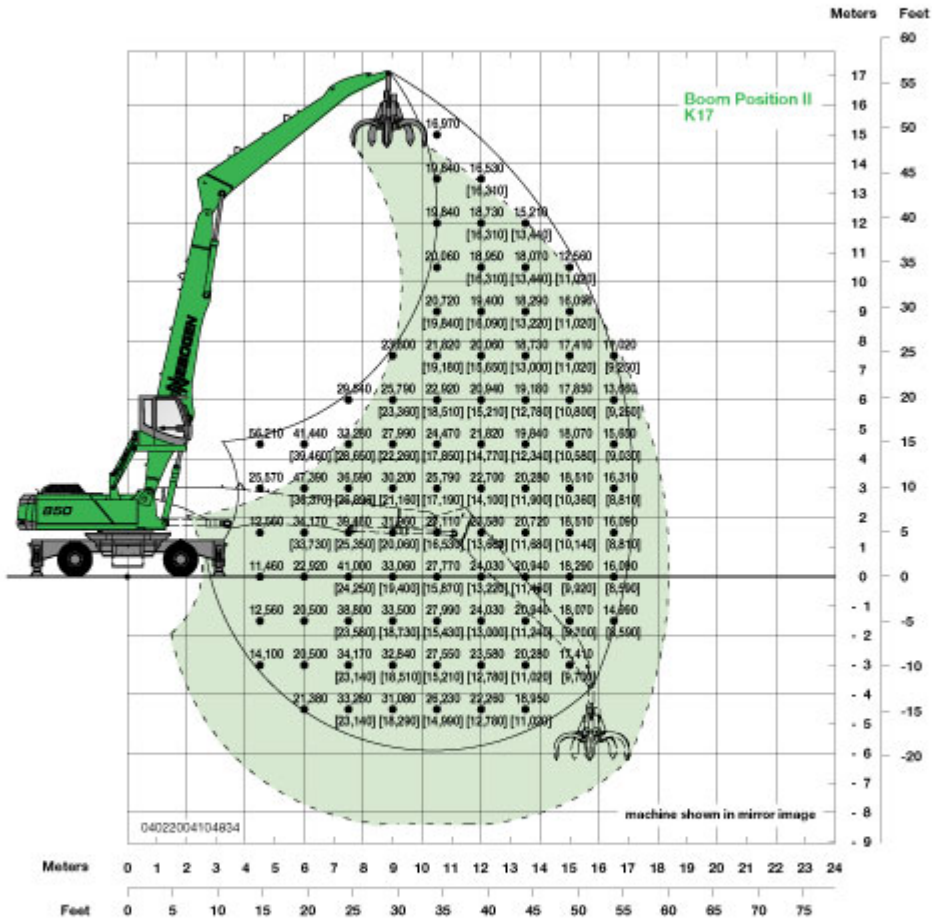
Depending upon tolerances, measurements may vary.


850 M

- Undercarriage: MP50, 4-point outriggers
tires 8 x 12.00-24
- Boom: 32'10"
- Stick: 24'11"
- Boom position: I
- Cab: C 270 hydraulic elevating cab with operator's eye level 19'10"

Load chart

Notes:
 Lifting capacities are stated in pounds. Indicated loads are based on ISO 10567 and do not exceed 75% of tipping and 87% of hydraulic capacity. Machine on firm, level supporting surface. Loads valid for 360° on outriggers supported.
 Loads in [...] are valid 360° free on wheels.
 Lifting capacities do not include working attachments such as scrap grapples, magnets, etc. Their weights must be deducted from the numbers indicated in the lifting charts.


850 M

- Undercarriage: MP50, 4-point outriggers
tires 8 x 12.00-24
- Boom: 32'10"
- Stick: 24'11"
- Boom position: II
- Cab: C 270 hydraulic elevating cab with
operator's eye level 19'10"