



# 870

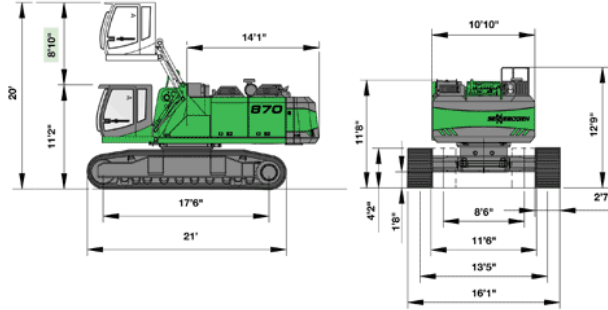
## 870 R-HD C Series

Engine	426 HP
Working Radius	20.7 Metres
Operating Weight	92,909 Kilos

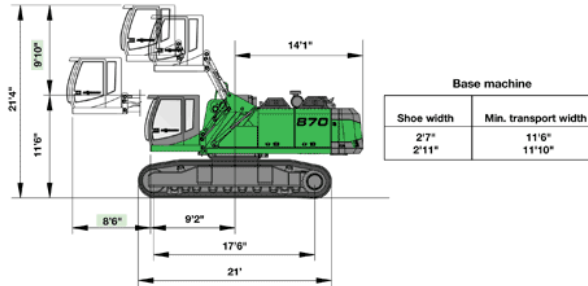


**Machine Specifications**

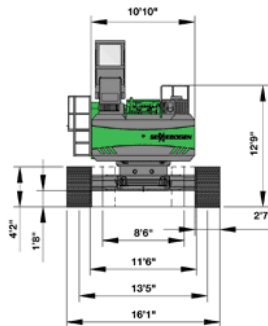
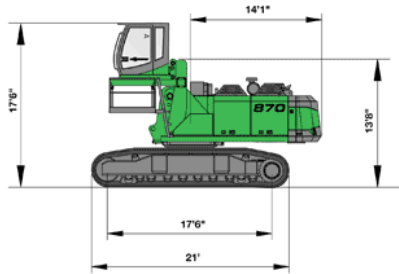
- 870 R-HD with hydraulically extendable crawler undercarriage T102/410, 8'10" hydraulic elevating Cab Type C 270



- 870 R-HD with hydraulic elevating and forward moving Cab Type C 300/260

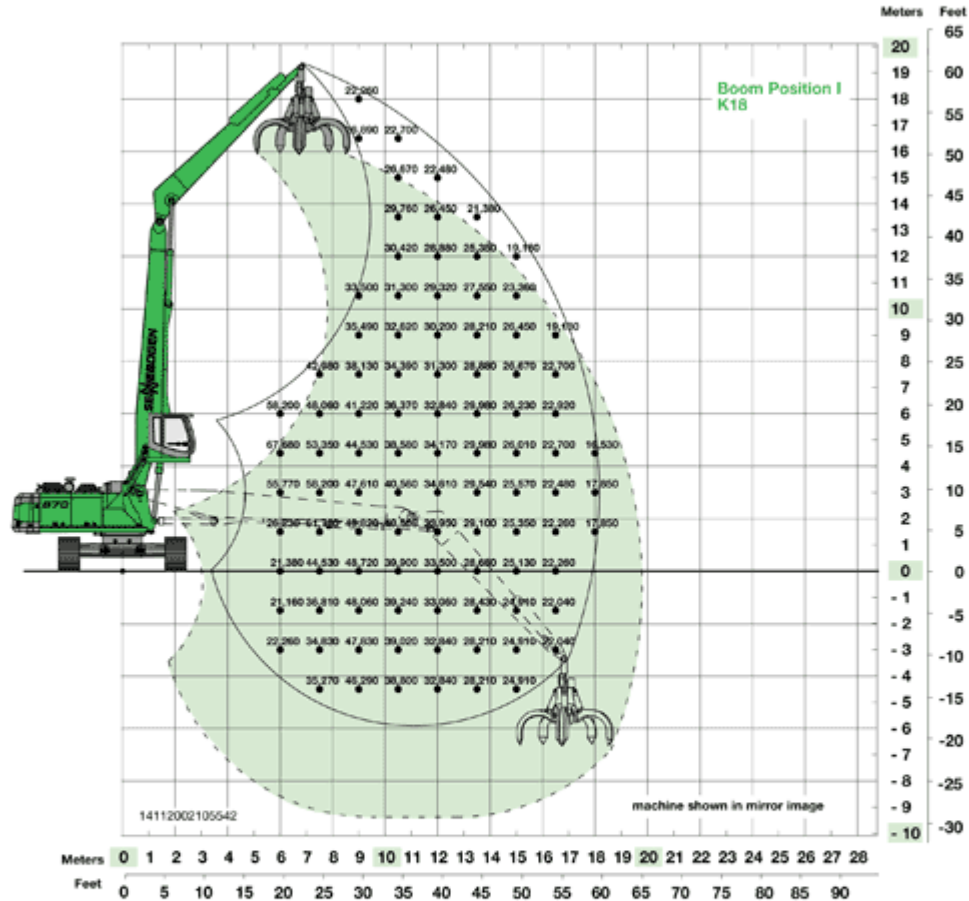


- 870 R-HD with fixed cab, height 4'11"



Available with mechanically tiltable optional 6'7" cab.

Depending upon tolerances, measurements may vary.


**870 R-HD**

- Undercarriage: Hydraulic extendable crawler undercarriage, with crawler B8b, crawler length 21'
- Boom: 34'5"
- Stick: 26'3"
- Boom position: I
- Cab: C 270 hydraulic elevating cab with operator's eye level 19'6"

**Load chart**

Notes:  
 Lift capacities are stated in pounds. Indicated loads are based on ISO 10567 and do not exceed 75% of tipping and 87% of hydraulic capacity. Machine on firm, level supporting surface. Loads valid for 360°. Lifting capacities do not include working attachments such as scrap grapples, magnets, etc. Their weights must be deducted from the numbers indicated in the lifting charts.


**870 R-HD**

- Undercarriage: Hydraulic extendable crawler undercarriage
- Boom: 37'9"
- Stick: 29'6"
- Boom position: I
- Cab: C 300/260 hydraulic elevating and forward moving cab with operator's eye level 20'10"