



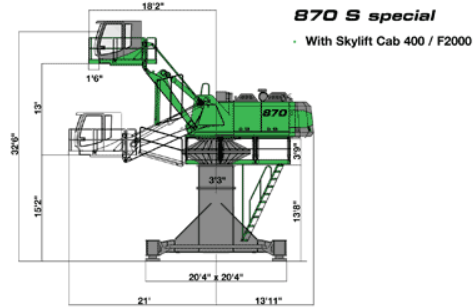
870

870 *special C Series*

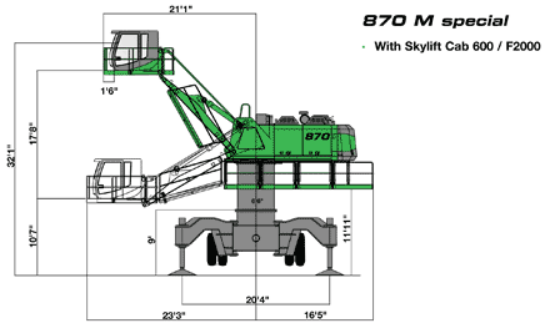
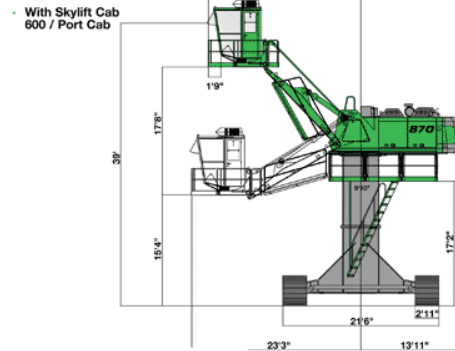
Engine 426 HP
Working Radius 24.7 Metres
Operating Weight 111,363 Kilos



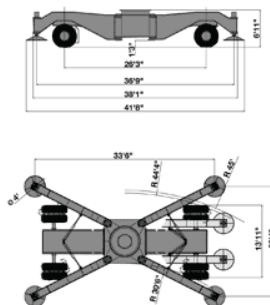
Machine Specifications



870 R special

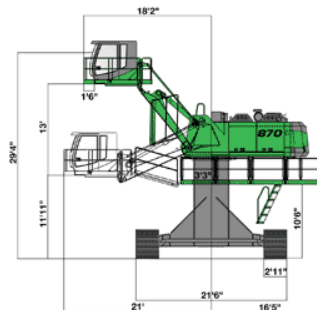


Wheeled Undercarriage MS100



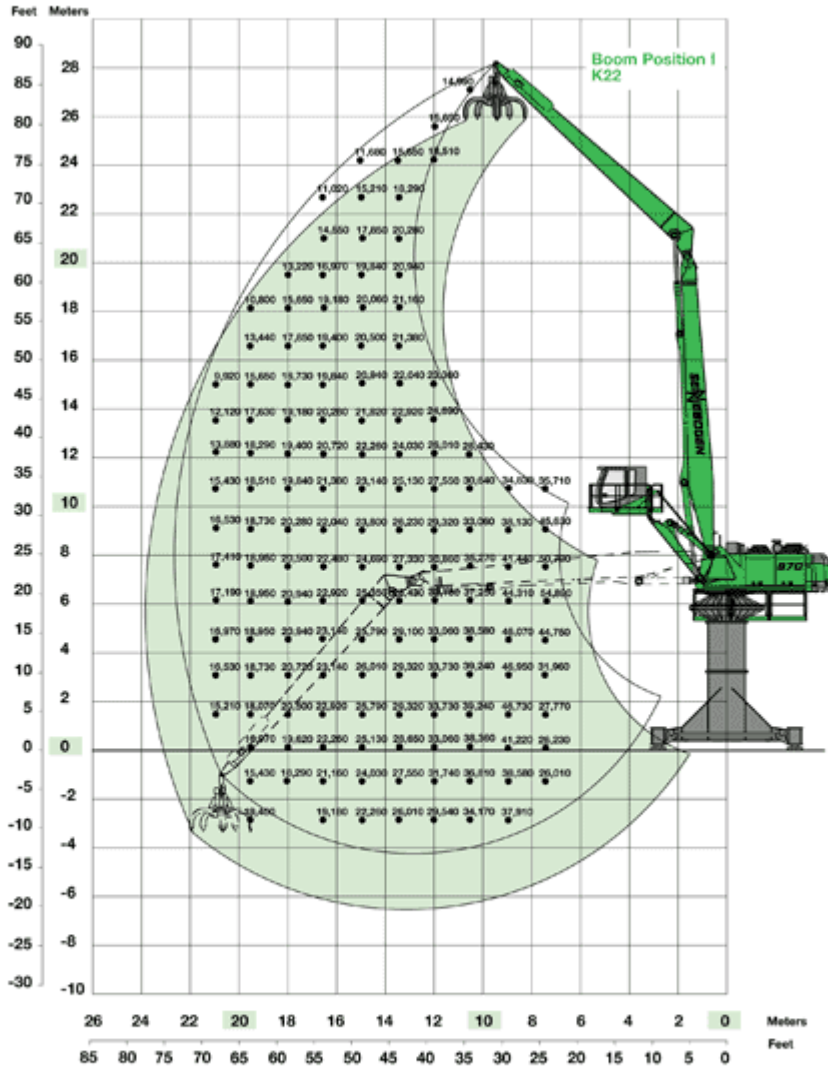
870 R special

- With Skylift Cab 400 / F2000



Depending upon tolerances, measurements may vary.

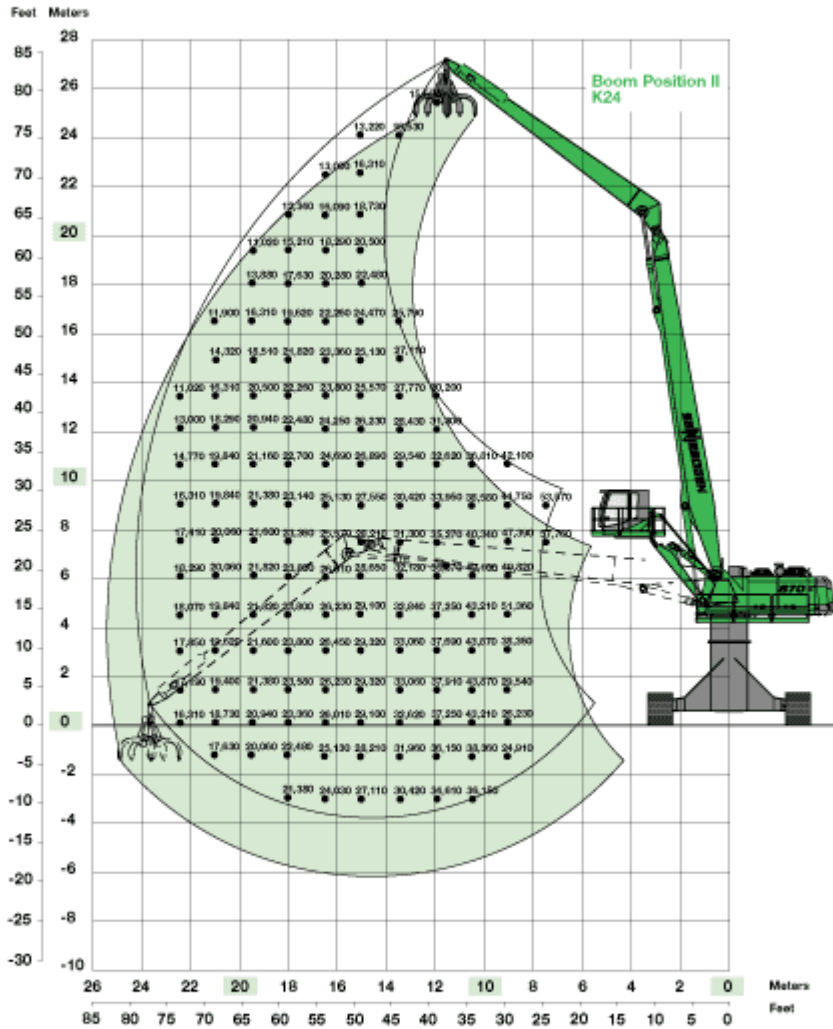
SENEBOGEN[®]
 green line

870 special

870 S special

- Support: Free floating structure
ST90/550x550
- Pylon: 6'7"
- Boom: 39'4"
- Stick: 36'1"
- Boom position: 1
- Cab: Skylift cab 400 / F2000 with
operator's eye level 35'10"

Load chart

Notes:
 Lift capacities are stated in pounds. Indicated loads are based on ISO 10667 and do not exceed 75% of tipping and 87% of hydraulic capacity. Machine on firm, level supporting surface. Loads valid for 360°. Lifting capacities do not include working attachments such as scrap grapples, magnets, etc. Their weights must be deducted from the numbers indicated in the lifting charts.


870 R special

- Undercarriage: Wide gauge crawler undercarriage with crawler B&B, crawler length 26'3"
- Pylon: 3'3"
- Boom: 45'11"
- Stick: 36'1"
- Boom position: II
- Cab: Skylift cab 400 / F2000 with operator's eye level 29'4"